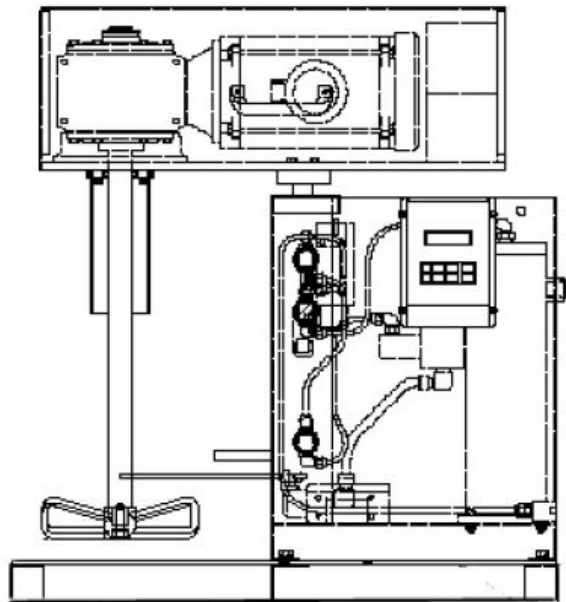




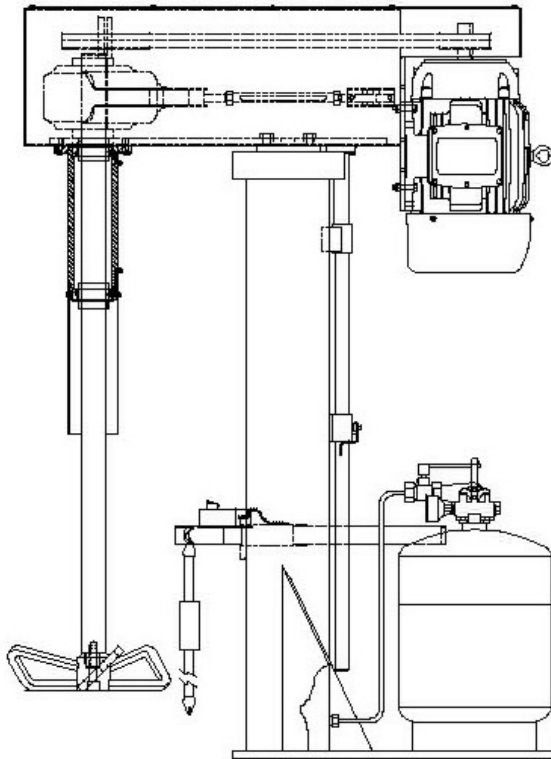
Ross High Viscosity Disperser

Leading the Mixing Industry for over 160 years.

PBA - 1/2 to 2



PBA - 5 to 20



Model	HP	RPM	OAW		OAL		OAH Lowered		OAH Raised		Distance Between Feet		Capacity Water (Gallons)	Weight (Pounds)
			in.	mm	in.	mm	in.	mm	in.	mm	in.	mm		
PBA-1/2	1/2	36-540	16	392	29.5	722	31.75	778	46.75	1145	12	294	1/2-5	480
PBA-1	1	36-540	16	392	29.5	722	31.75	778	46.75	1145	12	294	1/2-5	500
PBA-2	2	36-540	16	392	29.5	722	31.75	778	46.75	1145	12	294	1/2-5	540
PBA-5	5	44-175	28.375	695	55.75	1365	78.75	1918	128.75	3154	N/A		5-150	1900
PBA-7.5	7.5	44-175	28.375	695	55.75	1365	78.75	1918	128.75	3154	N/A		5-250	2000
PBA-10	10	44-175	28.375	695	55.75	1365	78.75	1918	128.75	3154	N/A		50-500	2100
PBA-15	15	44-175	28.375	695	55.75	1365	78.75	1918	128.75	3154	N/A		50-500	2200
PBA-20	20	44-175	28.375	695	55.75	1365	78.75	1918	128.75	3154	N/A		50-500	2300

Applications

Inks
 Pigment Dispersions
 Polyesters
 Wax Dispersions
 Press Cakes
 Adhesives
 Caulks
 Epoxies
 Sealants
 Lacquers
 Pastes

**The ultimate test -
 in the Ross Test &
 Development Center
 or in your plant.**

Call Ross to arrange a demonstration of our PBA and other models. The Ross Test & Development Center is staffed with the most experienced engineers in the business and is fully equipped for quantitative analysis of your results.

Call or E-mail ROSS today. 1-800-243-ROSS, sales@mixers.com.

Call now to speak to an applications engineer. Learn more about the Ross PBA and all of the other Ross products.



CHARLES ROSS & SON COMPANY

P.O. Box 12308
 710 Old Willets Path
 Hauppauge, NY 11788
 Tel: 631-234-0500
 Fax: 631-234-0691
 1-800-243-ROSS
 Website: www.mixers.com
 E-mail: sales@mixers.com